

KA-P

Sampling valve with PFA / FEP lining

- for liquid media
- für media containing solids
- ventilation: system external to atmosphere

DN 15 - 100, PN 10 - 40

NPS ½" - 4" / Class 150 - 300 Application range: -29

< T < 150°C, vacuum 10⁻⁸ mbar



Design Features

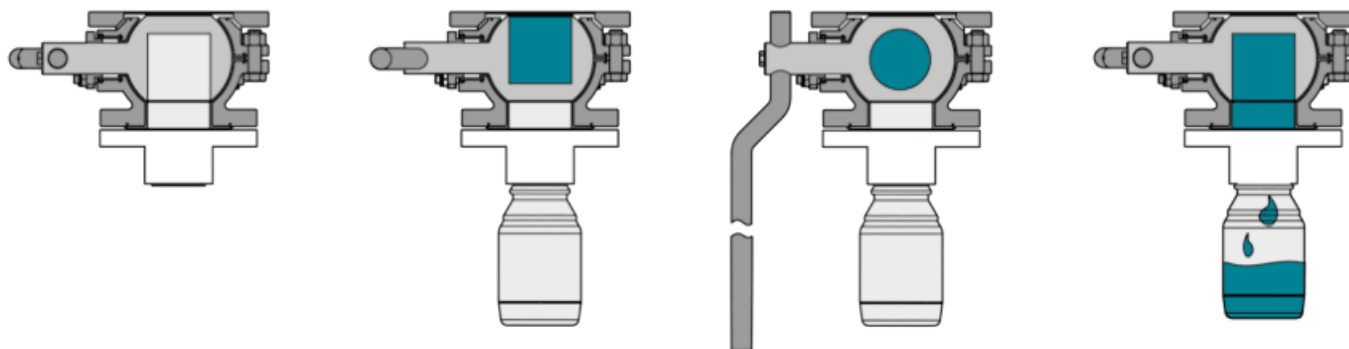
- sampling directly from container/tank
- representative sampling with pre-defined sample size
- custom bottle connector
- container connection optionally with weld-ends or flanges
- sample size from Pmin 25 ml to Pmax 100 ml

Options

- various materials for body and lining available
- ball made of stainless steel
- automation

Working

Principle



default position

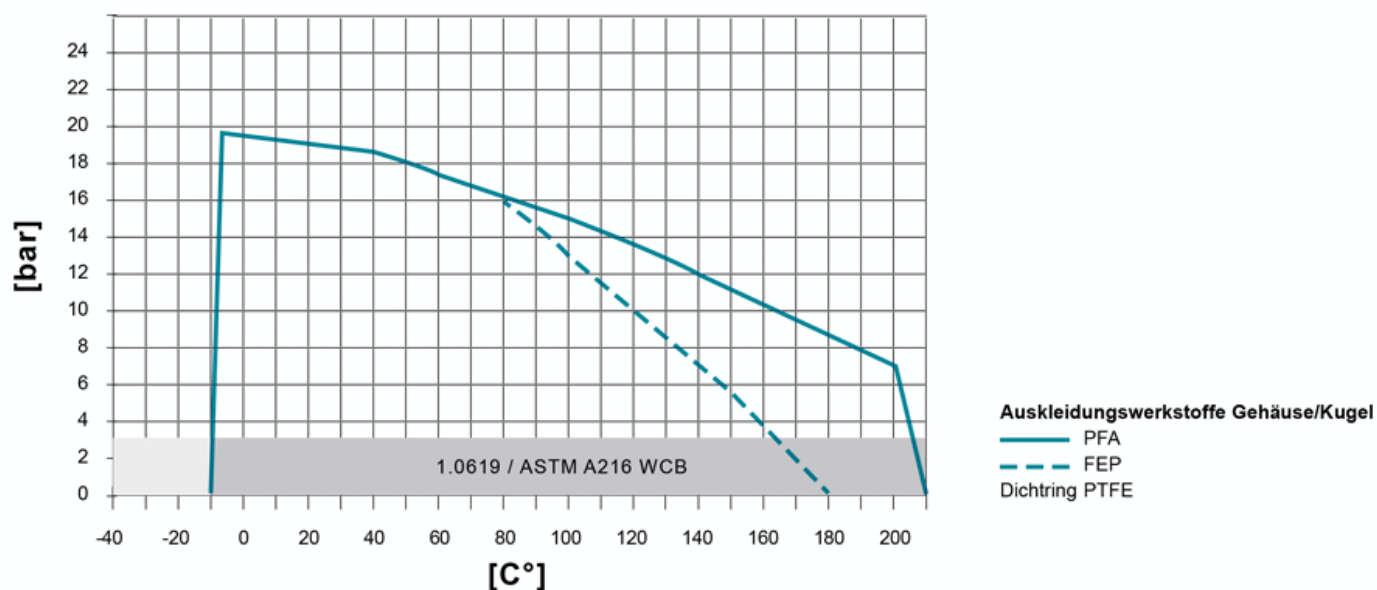
filling of the plug,
pre-defined sample size – pressure-less ! –

isolation of sample

sample taking,
filling the bottle

PT-Diagram

Allgemeines Druck-/Temperatur-Diagramm



The specified values depend on the respective application (medium). Operating temperatures under -20°C only with body material 1.4408 or low-temperature steel. High pressure resistance / temperature resistance on request, e.g. PN 40. Sleeve: There are different sleeve materials / compounds available.

Materials

Standard body materials

- Stainless Steel 1.4308, ASTM A351 CF8 **Standard Ball material**

- Stainless Steel 1.4308, ASTM A351 CF8 **Special materials**
- Carbon Steel 1.0619, ASTM A216 WCB
- Stainless Steel 1.4408, ASTM A351 CF8M
- Unalloyed stainless steel casting (low Temp.) 1.1138, LCC/LCB/A352 **Lining materials**
- Body: PFA, PFA-conductive, FEP
- Ball: PTFE, PFA, PFA-conductive, FEP
- Seal Ring: PTFE

Sealing Systems

Chemical sealing to prevent fugitive emissions of aggressive and toxic media with PTFE packing for additional stem sealing; T_{\max} 230°C

Type CAS

[read more \[...\]](#)

Dimensions

on request

Actuation

on request