

OCULAR-A

Sightglass with FEP/PFA lining, full bore

DIN-EN: DN 15 - 250 / PN 10 - 40

ASME: NPS 1" - 4" / class 150

Design Features

Design Characteristics • temperatur range up to 150°C

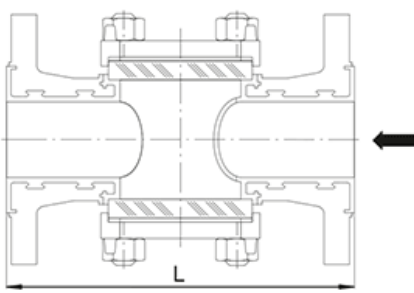
- Borosilikat sightglass
- with entry nozzle for turbulences
- with heating jacket (option)
- FEP- or PFA lining (3 mm min.)

Materials

Standard

- Ductile cast iron ENJS 1049, ASTM Gr 60-40-18 / A395 **Special materials**
- Carbon Steel 1.0619 / ASTM A216 WCB
- Stainless steel 1.4308 / ASTM A351 CF8M
- Unalloyed stainless steel casting (low Temp.) 1.1138 / LCC/LCB / A352 **Sightglass**
- Borosilikat **Lining materials**
- Body: PFA, PFA-conductive, FEP

Dimensions

DIN 3202/EN 558-1	DN	PN	L	
	15	10-40	130	
	20	10-40	150	
	25	10-40	160	
	32	10-40	180	
	40	10-40	200	
	50	10-40	230	
	65	10-40	290	
	80	10-40	310	
	100	10/16	350	
		25/40		
	150	10/16	480	
		25/40		
	200	10/16	600	
	25/40			
250	10/16	730		
	25/40			
ASME B 16.5	NPS	PN	L	
	1"	150	127	
	1½"	150	165	
	2"	150	178	
	3"	150	203	
	4"	150	229	

Higher pressure load on request