

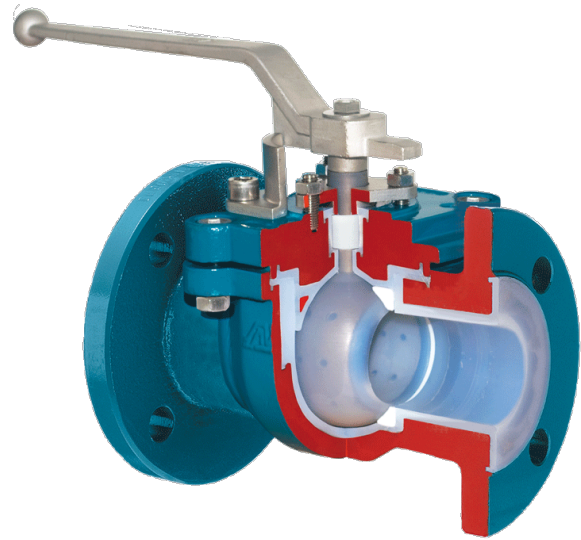
# MONOBLOC EXTRA

**Two way ball valve with top entry design (one-piece body) with full bore. with chemical-resistant lining and ISO top flange**

DIN-EN: DN 15 - 100 / PN 10 - 25

ASME: NPS ½" - 8" / class 150

PT range:  $-30 < T < 230^{\circ}\text{C}$



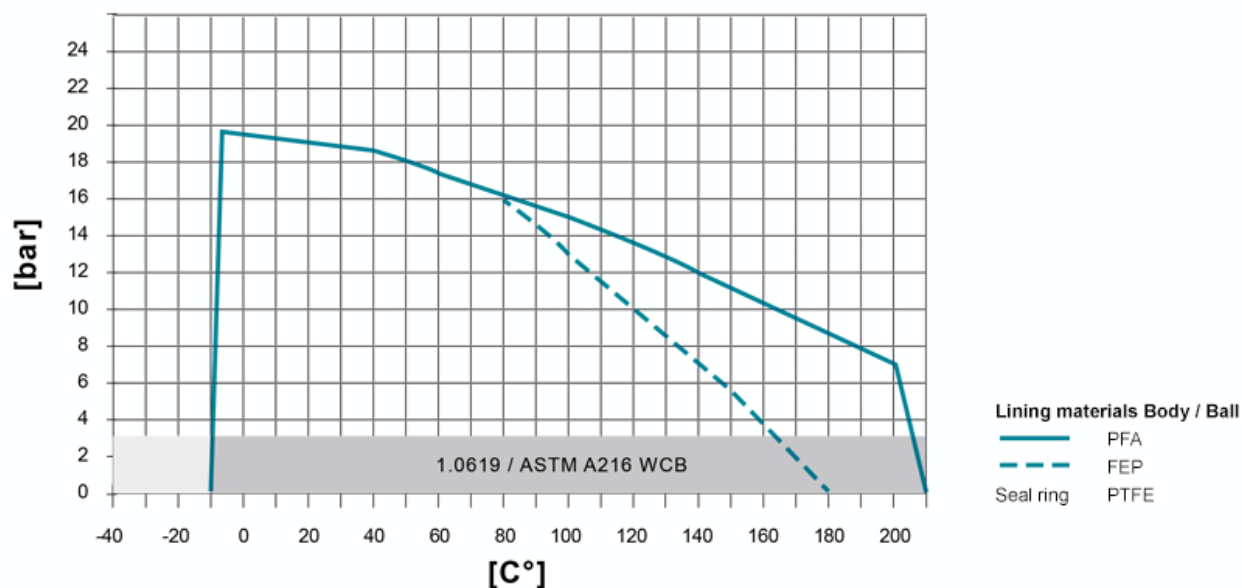
## Design Features

### Design Characteristics

- full bore
- one-piece body (MONOBLOC), top entry design
- easy replacement of sealings
- integral ball and stem
- anti-blow-out
- with readjustable stuffingbox packing
- cavity minimized
- maintenance free - self lubricating
- mounting-flange for actuators acc. to DIN ISO 5211
- with chemical resistant lining - thickness min. 3 mm
- fugitive emission resp. clean air act certified (TA - Luft 2002 approval)
- Directive 2014/68/EU
- FDA conformity

## PT-Diagram

General Pressure-Temperature-Diagram



The specified values depend on the respective application (medium). Operating temperatures under -20°C only with body material 1.4408 or low-temperature steel. High pressure resistance / temperature resistance on request, e.g. PN 40.

Sleeve: There are different sleeve materials / compounds available.

## Materials

### Standard body materials

- Ductile cast iron ENJS 1049, ASTM Gr 60-40-18 / A395

### Standard plug materials

- Stainless Steel 1.4308, ASTM A351 CF8

### Special materials

- Carbon Steel 1.0619, ASTM A216 WCB
- Stainless Steel 1.4408, ASTM A351 CF8M
- Unalloyed stainless steel casting (low Temp.) 1.1138, LCC/LCB/A352

### Lining materials

- Body: PFA, PFA-conductive, FEP
- Ball: PTFE, PFA, PFA-conductive, FEP
- Seal Ring: PTFE

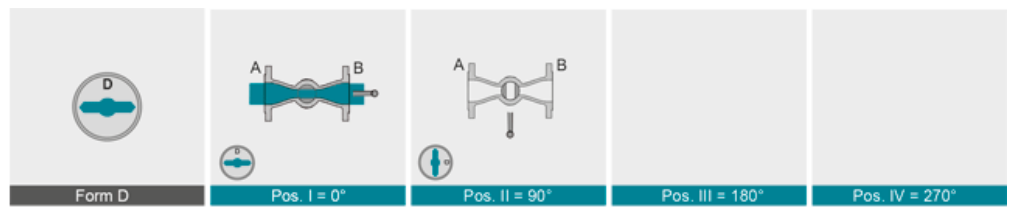
## Sealing Systems

Chemical sealing to prevent fugitive emissions of aggressive and toxic media with PTFE packing for additional stem sealing;  $T_{\max}$  230°C

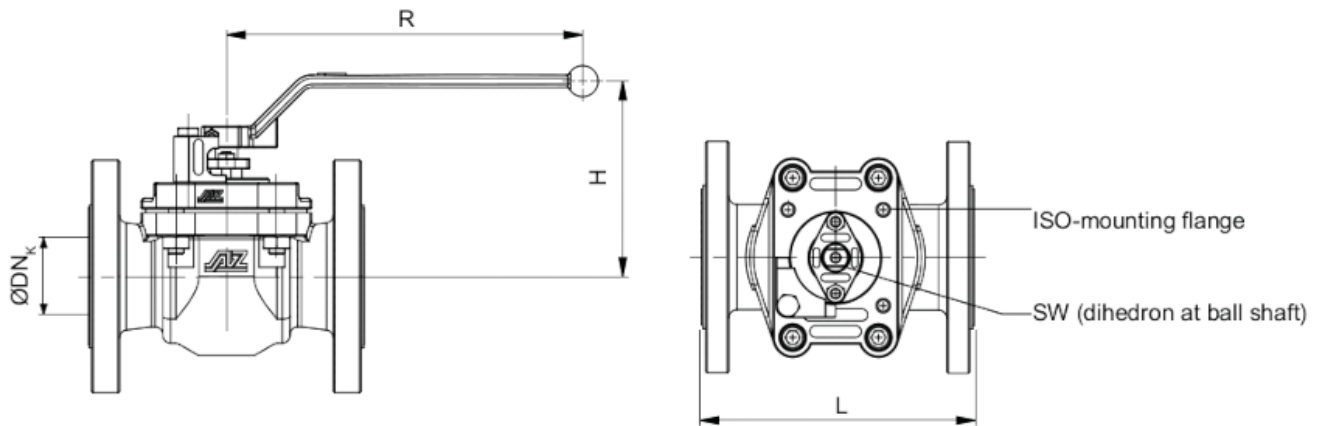
### Type CAS

[read more \[...\]](#)

## Port Forms



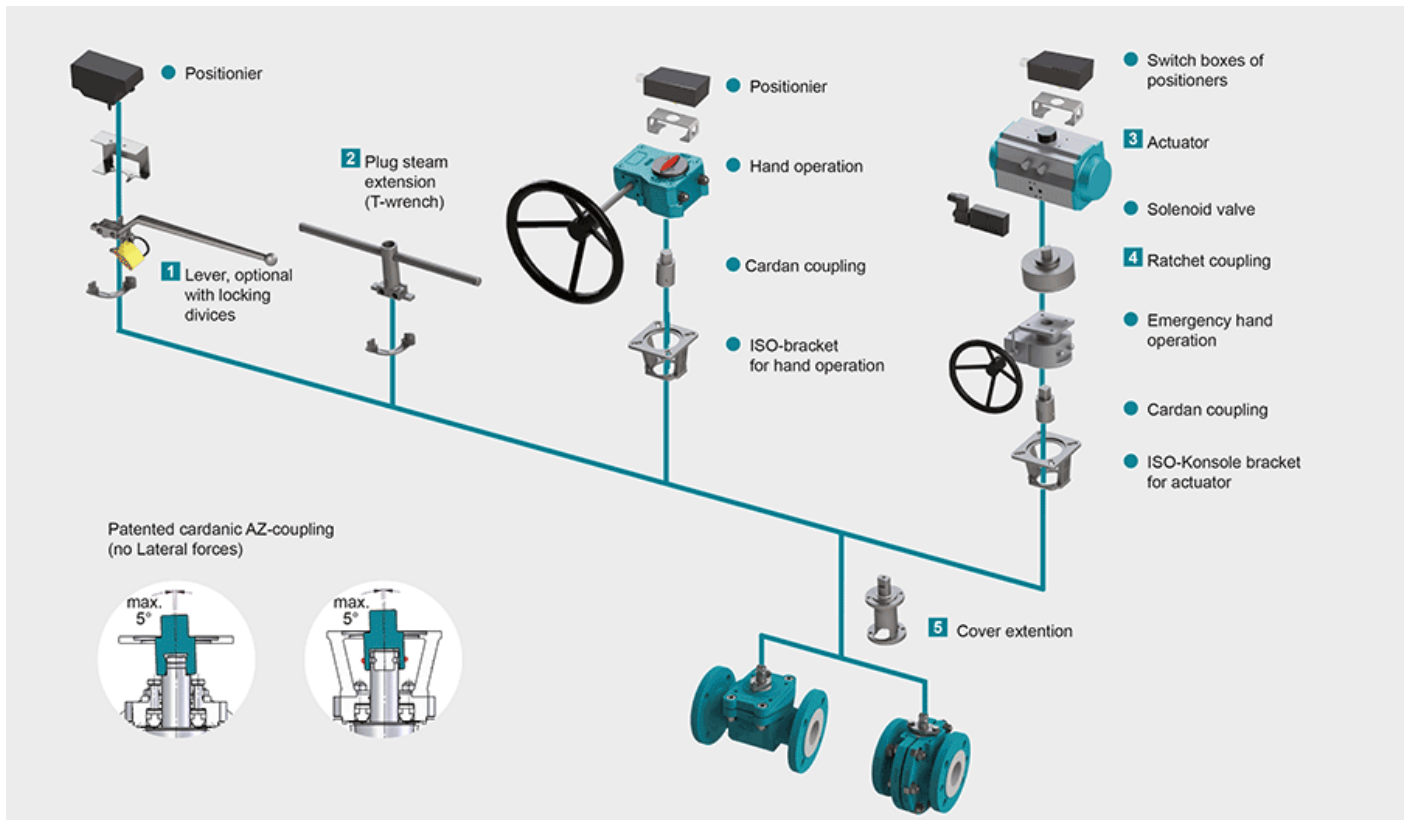
## Dimensions



|                     |     | Type MONOBLOC-EXTRA |     |     |     |                 |         |              |             |                                           |                                   |
|---------------------|-----|---------------------|-----|-----|-----|-----------------|---------|--------------|-------------|-------------------------------------------|-----------------------------------|
| EN 1092-1 / 558-1   | DN  | PN                  | L   | R   | H   | ISO-5211 flange | SW [mm] | torque* [Nm] | weight [kg] | K <sub>vs</sub> value [m <sup>3</sup> /h] | C <sub>v</sub> -Wert [US.gal/min] |
|                     | 25  | 16                  | 160 | 230 | 119 | F07             | 11      | 45           | **          | 70                                        | 81                                |
|                     | 40  | 16                  | 200 | 230 | 126 | F07             | 11      | 45           | **          | 193                                       | 223                               |
|                     | 50  | 10-16               | 230 | 320 | 143 | F10             | 14      | 50           | **          | 323                                       | 374                               |
|                     | 80  | 10-16               | 310 | 600 | 199 | F12             | 22      | 120          | **          | 947                                       | 1095                              |
|                     | 100 | 10-16               | 350 | 600 | 202 | F14             | 22      | 120          | **          | 1446                                      | 1672                              |
|                     | 150 | 10-16               | 350 | 600 | 227 | F16             | 27      | 160          | **          | 3338                                      | 3859                              |
|                     | 200 | 10-16               | 400 | 600 | 277 | F16             | 27      | 270          | **          | 6362                                      | 7356                              |
| ASME B 16.5 / 16.10 | NPS | Class               | L   | R   | H   | ISO-5211 flange | SW [mm] | torque* [Nm] | weight [kg] | K <sub>vs</sub> value [m <sup>3</sup> /h] | C <sub>v</sub> -Wert [US.gal/min] |
|                     | 1"  | 150                 | 160 | 230 | 119 | F07             | 11      | 45           | **          | 70                                        | 81                                |
|                     | 1½" | 150                 | 200 | 230 | 126 | F07             | 11      | 45           | **          | 193                                       | 223                               |
|                     | 2"  | 150                 | 230 | 320 | 143 | F10             | 14      | 50           | **          | 323                                       | 374                               |
|                     | 3"  | 150                 | 310 | 600 | 199 | F12             | 22      | 120          | **          | 947                                       | 1095                              |
|                     | 4"  | 150                 | 350 | 600 | 202 | F14             | 22      | 120          | **          | 1446                                      | 1672                              |
|                     | 6"  | 150                 | 350 | 600 | 227 | F16             | 27      | 160          | **          | 3338                                      | 3859                              |
|                     | 8"  | 150                 | 400 | 600 | 277 | F16             | 27      | 270          | **          | 6362                                      | 7356                              |

For geometric reasons, threads are used in the flange bores in a few cases

## Actuation



### 1 Locking Devices

Pilot valve combinations, pad lock eyelets, linear key conception, indexing plunger arrestor.  
[read more \[...\]](#)

### 2 Plug stem extension

Solid construction in stainless steel with T-wrench, Standard extension 100 mm or 150 mm, non standard lengths are available on request  
[read more \[...\]](#)

### 3 Actuators

Actuators for mounting-flange acc. to DIN ISO 5211  
[read more \[...\]](#)

NEW: Pneumatic actuator AIR GEAR for plug valves with high torque =150.000 Nm  
[read more \[...\]](#)

### 4 Ratched coupling

To usw on multiport valves with standard 90° actuator for bigger switchpositions than 90°  
[read more \[...\]](#)

### 5 Cover extension

Solid construction in stainless steel, Standard extension 100 mm or 150 mm high, non standard lengths are available on request . Hexagonal bolts on adjustment ring freely accessible. Note: Don't use with sealing FSN/FSN-SL and CASN/CASN-SL  
[read more \[...\]](#)