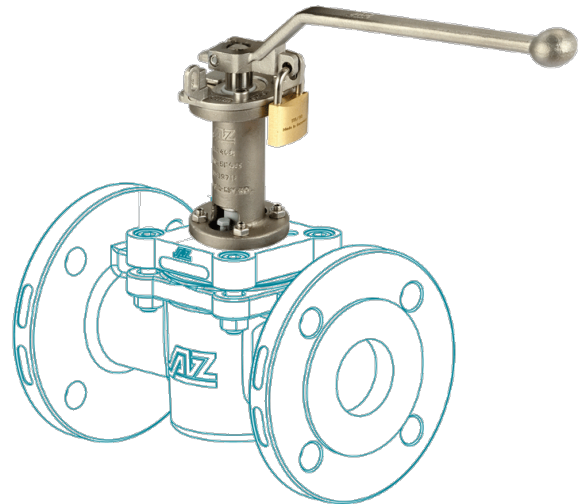


# FV

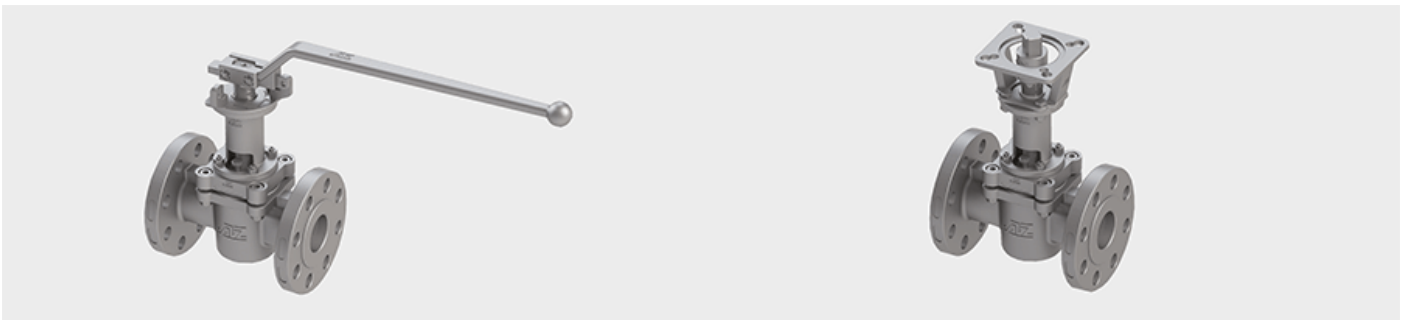
## Cover extension



## Design Features

### Design Characteristics

- for all AZ valves with lever, hand operation and actuator
- Standard extension 100 mm high other on request
- Solid construction in stainless steel
- simple mounting



## Materials

### Standard

- Stainless steel 1.4308, ASTM A351 CF8

## Dimensions

on request